

CORONA MDI 110

MULTI-JET METER | DRY RUNNER

DIEHL
Metering



APPLICATION

Domestic water meter

FEATURES

- ▶ Modular multi-jet domestic meter with inductive scanning (without magnetic influence)
- ▶ System capability, with standard applicable pulse output 1 l/pulse (inductive). CORONA MDI can be externalized in any way - with IZAR RADIO COMPACT 868 I (radio module) or IZAR PULSE I (pulse transmitter)
- ▶ Extremely low pressure loss and considerably extended measuring range
- ▶ Records very small amounts of water consumption
- ▶ Maximum long-term accuracy and absolutely corrosion-resistant
- ▶ Measuring data better than specified by calibration regulations
- ▶ Strainer insert in inlet connection for cleaning without damaging the seal
- ▶ Capable of withstanding any load for a short time
- ▶ Fine adjustment by regulating plug

CORONA MDI 110 Meter for horizontal pipes

MULTI-JET METER | DRY RUNNER

GENERAL

Meter for horizontal pipes		
Medium temperature range	°C	0 ... 30
Temperature safety	°C	0 ... 50
Ambient operating temperature	°C	0 ... 55
Ambient storage temperature	°C	0 ... 55
Nominal pressure	PN bar	16
Display range		0.05 l ... 99,999 m ³
Pulse value	l/pulse	1
Protection class		IP 65

TECHNICAL DATA

Nominal flow rate	Q ₃	m ³ /h	2.5	4
Nominal diameter	DN	mm	15	20
Overload flow rate	Q ₄	m ³ /h	3.125	5
Transition flow rate	Q ₂	l/h	50	80
Minimum flow rate	Q ₁	l/h	31.25	50
Starting flow rate		l/h	9	10
Pressure loss at Q ₃		bar	0.38	0.53
Flow rate at 1 bar pressure loss		m ³ /h	4.1	5.55

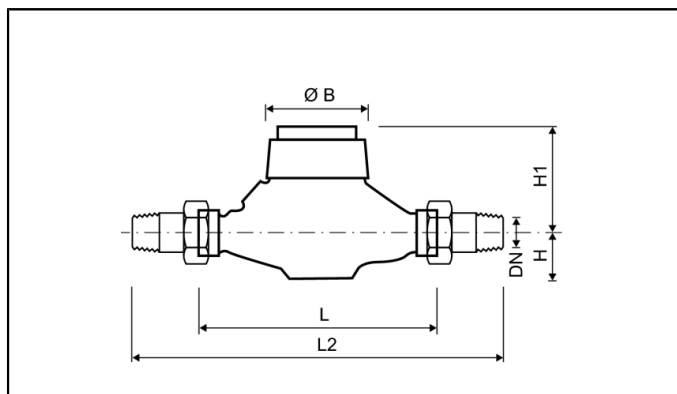
APPROVAL

Nominal flow rate	Q ₃	m ³ /h	2.5	4
Nominal diameter	DN	mm	15	20
MID			TH 8630	TH 8630
Dynamic range horizontal installation (Q ₃ /Q ₁)	R		50 / 80	50 / 80

CORONA MDI 110 Meter for horizontal pipes

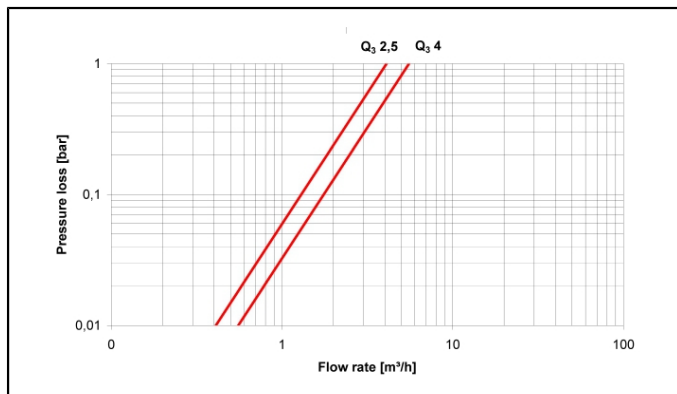
MULTI-JET METER | DRY RUNNER

DIMENSIONS

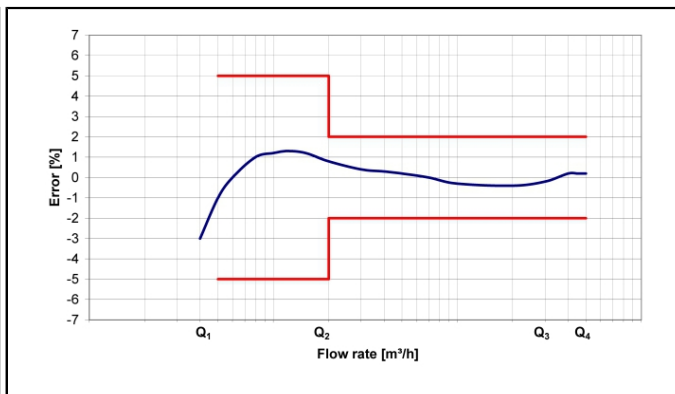


Nominal flow rate	Q ₃	m ³ /h	2.5	4
Nominal diameter	DN	mm	15	20
Overall length (DIN ISO 4064)	L	mm	165	190
Overall length with coupling	L2	mm	245	288
Connection thread on meter (ISO 228/1)		Inch	G ³ / ₄ B	G1B
Connection thread of coupling (DIN 2999)		Inch	R ¹ / ₂	R ³ / ₄
Height	H	mm	33	37
Height	H1	mm	73	73
Diameter	Ø B	mm	95	95
Weight without coupling		kg	1.11	1.16
Weight with coupling		kg	1.31	1.46

PRESSURE LOSS GRAPH / TYPICAL ERROR GRAPH



Pressure loss graph



Typical error graph

CORONA MDI 110 Meter for rising pipes

MULTI-JET METER | DRY RUNNER

GENERAL

Meter for rising pipes		
Medium temperature range	°C	0 ... 30
Temperature safety	°C	0 ... 50
Ambient operating temperature	°C	0 ... 55
Ambient storage temperature	°C	0 ... 55
Nominal pressure	PN bar	16
Display range		0.05 l ... 99,999 m ³
Pulse value	l/pulse	1
Protection class		IP 68

TECHNICAL DATA

Nominal flow rate	Q ₃	m ³ /h	4
Nominal diameter	DN	mm	20
Overload flow rate	Q ₄	m ³ /h	5
Transition flow rate	Q ₂	l/h	80
Minimum flow rate	Q ₁	l/h	50
Starting flow rate		l/h	12
Pressure loss at Q ₃		bar	0.45
Flow rate at 1 bar pressure loss		m ³ /h	5.77

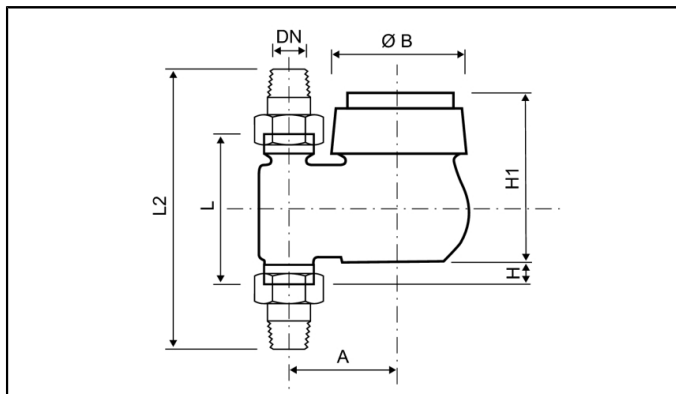
APPROVAL

Nominal flow rate	Q ₃	m ³ /h	4
Nominal diameter	DN	mm	20
MID			TH 8630
Dynamic range vertical installation (Q ₃ /Q ₁)	R		50 / 80

CORONA MDI 110 Meter for rising pipes

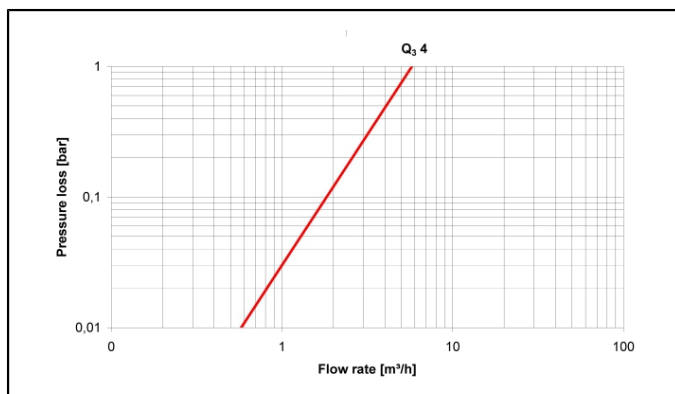
MULTI-JET METER | DRY RUNNER

DIMENSIONS

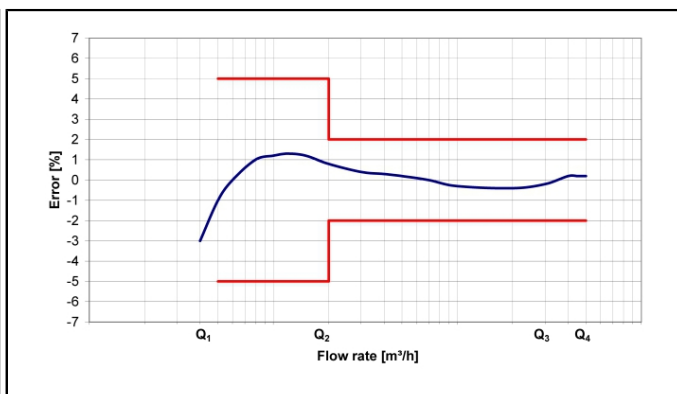


Nominal flow rate	Q_3	m^3/h	4
Nominal diameter	DN	mm	20
Overall length (DIN ISO 4064)	L	mm	105
Overall length with coupling	L2	mm	203
Connection thread on meter (ISO 228/1)		Inch	G1B
Connection thread of coupling (DIN 2999)		Inch	R $\frac{3}{4}$
Height	H	mm	18
Height	H1	mm	108
Diameter	$\varnothing B$	mm	95
Width	A	mm	82
Weight without coupling		kg	1.54
Weight with coupling		kg	1.86

PRESSURE LOSS GRAPH / TYPICAL ERROR GRAPH



Pressure loss graph



Typical error graph