

CORONA MWI 109

Multi-Jet Meter | Wet Runner

DIEHL
Metering



APPLICATION

Domestic water meter

FEATURES

- ▶ Modular multi-jet domestic meter with inductive scanning (without magnetic influence)
- ▶ System capability, with standard applicable pulse output 1 l/pulse (inductive). CORONA MWI can be externalized in any way - with IZAR RADIO COMPACT 868 I (radio module) or IZAR PULSE I (pulse transmitter)
- ▶ Extremely low pressure loss and considerably extended measuring range
- ▶ Records very small amounts of water consumption
- ▶ Maximum long-term accuracy and absolutely corrosion-resistant
- ▶ Measuring data better than specified by calibration regulations
- ▶ Strainer insert in inlet connection for cleaning without damaging the seal
- ▶ Capable of withstanding any load for a short time
- ▶ Fine adjustment by regulating plug

CORONA MWI 109 Meter for horizontal pipes

Multi-Jet Meter | Wet Runner

GENERAL

Meter for horizontal pipes		
Medium temperature range	°C	0 ... 30
Temperature safety	°C	0 ... 50
Ambient operating temperature	°C	0 ... 55
Ambient storage temperature	°C	0 ... 55
Nominal pressure	PN bar	16
Display range		0.05 l ... 99,999 m ³
Pulse value	l/pulse	1
Protection class		IP 68

TECHNICAL DATA

Nominal diameter	DN	mm	15	20	25
Permanent flow rate	Q ₃	m ³ /h	2.5	4	4
Overload flow rate	Q ₄	m ³ /h	3.125	5	5
Transitional flow rate	Q ₂	l/h	40	40	40
Minimum flow rate	Q ₁	l/h	25*	25**	25**
Starting flow rate		l/h	4	4	6
Pressure loss at Q ₃		bar	0.36	0.47	0.6
Flow rate at 1 bar pressure loss		m ³ /h	4.19	5.85	6.5

* Based on R 100

** Based on R 160

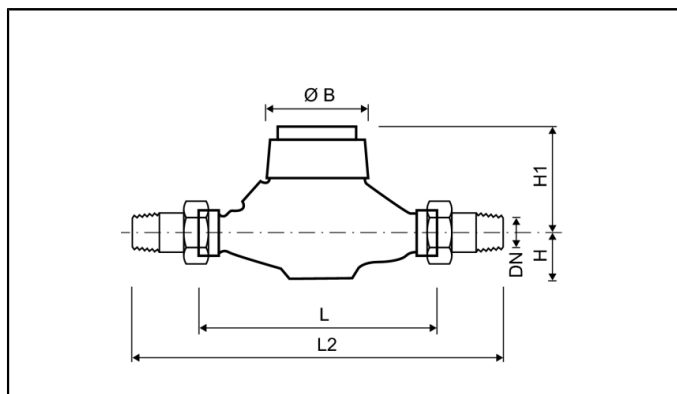
APPROVAL

Nominal diameter	DN	mm	15	20	25
Permanent flow rate	Q ₃	m ³ /h	2.5	4	4
MID			TH 8627	TH 8627	TH 8627
Dynamic range horizontal installation (Q ₃ /Q ₁)	R		40 / 80 / 100	40 / 80 / 100 / 160	40 / 80 / 100 / 160
Dynamic range vertical installation (Q ₃ /Q ₁)	R		40	40	40

CORONA MWI 109 Meter for horizontal pipes

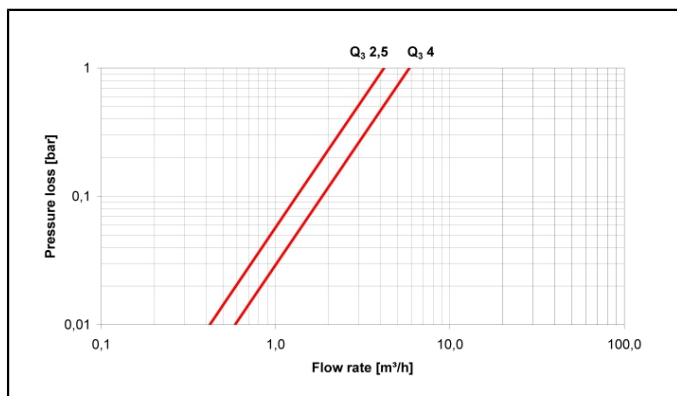
Multi-Jet Meter | Wet Runner

DIMENSIONS

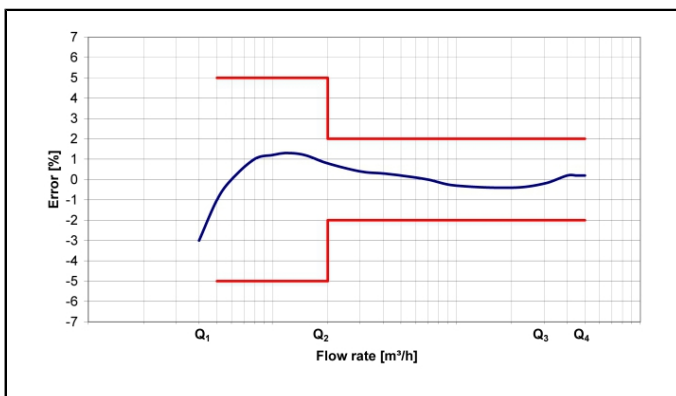


Nominal diameter	DN	mm	15	20	25
Permanent flow rate	Q ₃	m ³ /h	2.5	4	4
Overall length (DIN ISO 4064)	L	mm	165 / 170	190	175
Overall length with coupling	L2	mm	245	288	295
Connection thread on meter (ISO 228/1)		Inch	G ³ / ₄ B	G1B	G1 ¹ / ₄ B
Connection thread of coupling (DIN 2999)		Inch	R ¹ / ₂	R ³ / ₄	R1
Height	H	mm	33	37	22
Height	H1	mm	73	73	117
Diameter	Ø B	mm	95	95	95
Weight without coupling		kg	1.3	1.4	1.5
Weight with coupling		kg	1.5	1.7	1.8

PRESSURE LOSS GRAPH / TYPICAL ERROR GRAPH



Pressure loss graph



Typical error graph

CORONA MWI 109 Meter for rising pipes

Multi-Jet Meter | Wet Runner

GENERAL

Meter for rising pipes		
Medium temperature range	°C	0 ... 30
Temperature safety	°C	0 ... 50
Ambient operating temperature	°C	0 ... 55
Ambient storage temperature	°C	0 ... 55
Nominal pressure	PN bar	16
Display range		0.05 l ... 99,999 m ³
Pulse value	l/pulse	1
Protection class		IP 68

TECHNICAL DATA

Nominal diameter	DN	mm	20
Permanent flow rate	Q ₃	m ³ /h	4
Overload flow rate	Q ₄	m ³ /h	5
Transitional flow rate	Q ₂	l/h	40
Minimum flow rate	Q ₁	l/h	25
Starting flow rate		l/h	4
Pressure loss at Q ₃		bar	0.52
Flow rate at 1 bar pressure loss		m ³ /h	5.56

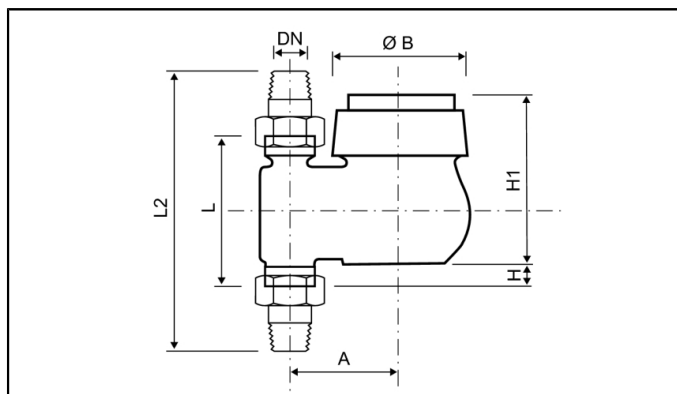
APPROVAL

Nominal diameter	DN	mm	20
Permanent flow rate	Q ₃	m ³ /h	4
MID			TH 8627
Dynamic range vertical installation (Q ₃ /Q ₁)	R		40 / 80 / 100 / 160

CORONA MWI 109 Meter for rising pipes

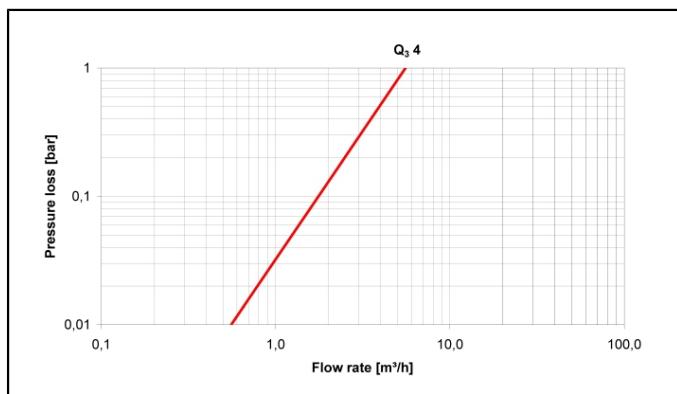
Multi-Jet Meter | Wet Runner

DIMENSIONS

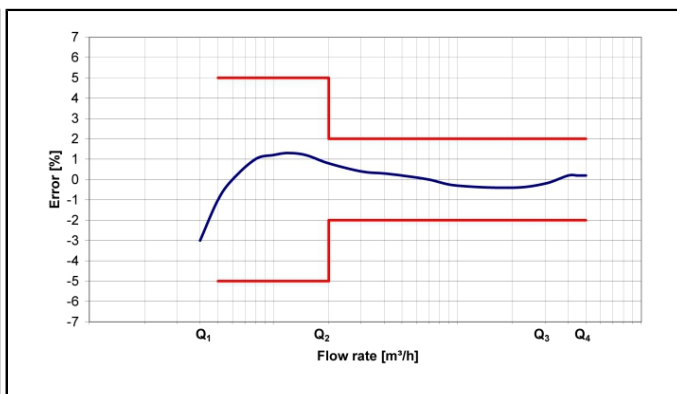


Nominal diameter	DN	mm	20
Permanent flow rate	Q_3	m^3/h	4
Overall length (DIN ISO 4064)	L	mm	105
Overall length with coupling	L2	mm	203
Connection thread on meter (ISO 228/1)		Inch	G1B
Connection thread of coupling (DIN 2999)		Inch	R $\frac{3}{4}$
Height	H	mm	18
Height	H1	mm	108
Diameter	$\varnothing B$	mm	95
Width	A	mm	82
Weight without coupling		kg	1.7
Weight with coupling		kg	2.0

PRESSURE LOSS GRAPH / TYPICAL ERROR GRAPH



Pressure loss graph



Typical error graph