

WESAN WPV

BULK WATER METER | WOLTMAN

DIEHL
Metering



APPLICATION

Meter for measuring heavily fluctuating flow rates.

FEATURES

- ▶ Calibratable and exchangeable measuring insert in one unit, suitable for calibration comprising: measuring insert as main meter, switch-over valve, measuring capsule as bypass meter
- ▶ Ideal design of housing and housing cover prevents sedimentation, stagnant water and air pockets
- ▶ Bypass line integrated in housing cover. No risk of sedimentation or corrosion.
- ▶ No measuring errors in the switch-over range
- ▶ Measuring capsule as bypass meter and non-return valve easily replaced on site
- ▶ Good long-term measuring accuracy
- ▶ Complete head unit with counter and sensors can be rotated by 350° for easier reading
- ▶ Main meter and bypass meter are prepared for connection of two reed switch and one opto transmitter
- ▶ In order to secure a safe switch-over the WESAN WPV needs a minimum ingoing pressure of 0.6 bar

WESAN WPV

BULK WATER METER | WOLTMAN

GENERAL

		WESAN WPV	
Medium temperature range	°C	1 ... 30	
Temperature safety	°C	1 ... 50	
Ambient operating temperature	°C	1 ... 55	
Ambient storage temperature	°C	1 ... 55	
Nominal pressure	PN	bar	16 ¹
Display range	0.05 l ... 999,999 m ³		
Protection class	IP 68 / 65 ²		
Available bypass meters	ALTAIR MCI / CORONA MCI / CORONA MC		

¹ versions with different nominal pressure on request (see also special versions)

² with bypass meter CORONA MC

TECHNICAL DATA

Nominal diameter	DN	mm	50	80	100
Permanent flow rate	Q ₃	m ³ /h	25	63	100
Minimum flow rate	Q ₁	l/h	25 ³	25 ³	25 ³
Transitional flow rate	Q ₂	l/h	40 ³	40 ³	40 ³
Overload flow rate	Q ₄	m ³ /h	31.25	78.75	125
Starting flow rate		l/h	2 ³	2 ³	2 ³
Permanent flow rate bypass meter	Q ₃	m ³ /h	4	4	4
Switch-over flow rate rising		m ³ /h	2.2	2.7	2.4
Switch-over flow rate falling		m ³ /h	0.9	1.1	1.2

³ with bypass meter ALTAIR MCI

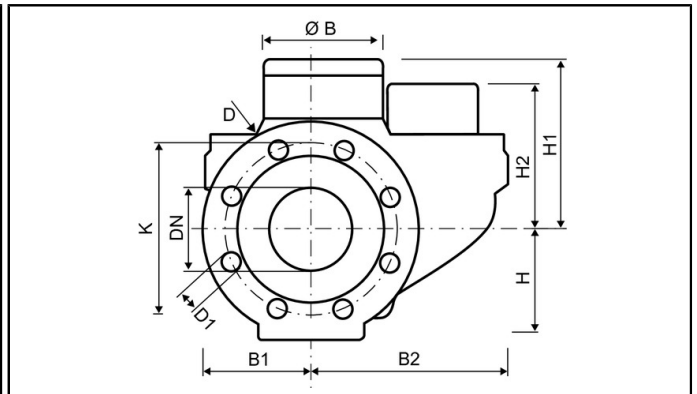
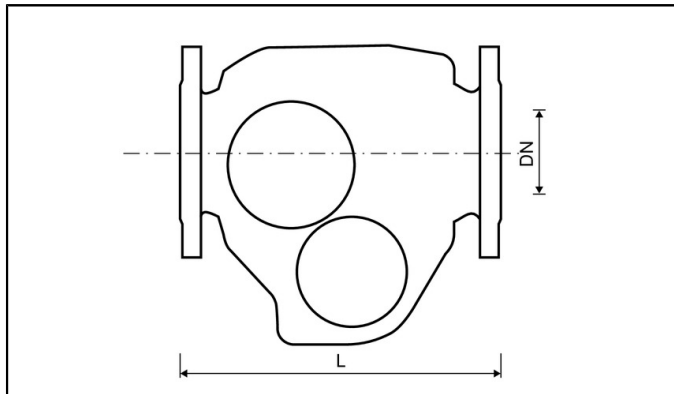
APPROVAL

Nominal diameter	DN	mm	50	80	100
MID (DE-16-MI001-PTB002)			•	•	•
Dynamic range bypass meter CORONA MC (Q ₃ /Q ₁)	R		630 H / 250 V	1600 H / 630 V	2500 H / 1000 V
Dynamic range bypass meter ALTAIR MCI (Q ₃ /Q ₁)	R		1000	2500	4000
Dynamic range bypass meter CORONA MCI (Q ₃ /Q ₁)	R		1000 H / 250 V	2500 H / 630 V	4000 H / 1000 V
Potable water			KTW / W270	KTW / W270	KTW / W270

WESAN WPV

BULK WATER METER | WOLTMAN

DIMENSIONS



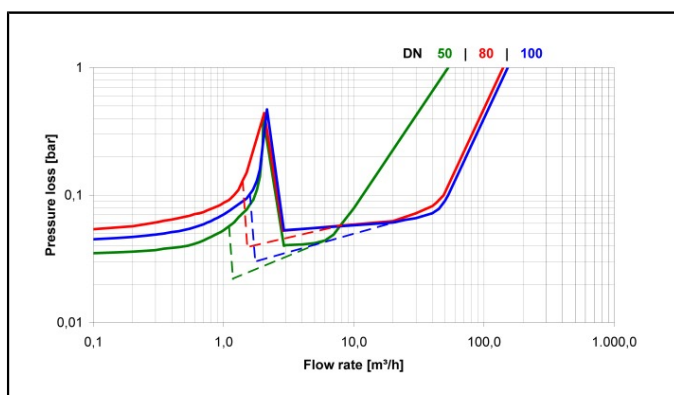
	DN	mm	50	80	100
Nominal diameter	DN	mm	50	80	100
Overall length (DIN 19625)	L	mm	270	300	360
Overall length (DIN ISO 4064)	L	mm	-	300	350
Flange diameter	D	mm	165	200	220
Hole circle diameter	K	mm	125	160	180
Number of screwholes		pcs	4	8 / 4	8
Screwhole diameter	D1	mm	18	18	18
Height	H	mm	75	101	101
Height	H1	mm	130	140	140
Height	H2	mm	136 ⁴	146 ⁴	146 ⁴
Height to remove measuring insert		mm	245 ⁴	280 ⁴	280 ⁴
Width	B1	mm	85	100	110
Width	B2	mm	160	180	180
Diameter	Ø B	mm	110	110	110
Weight of complete meter		kg	17.4	25.5	29
Weight of measuring insert		kg	6.3	9.3	9.3

⁴ with bypass meter CORONA MC

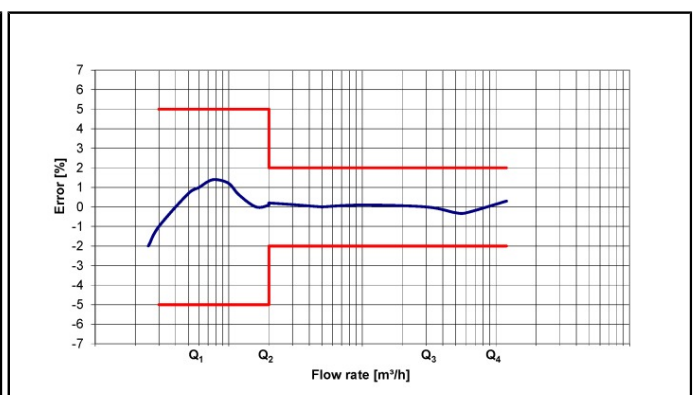
SPECIAL VERSIONS

- Versions with different nominal pressure on request
- Special flange holes on request

PRESSURE LOSS GRAPH / TYPICAL ERROR GRAPH



Pressure loss graph



Typical error graph